

## Lightning Protection

# QUARTER-WAVE ARRESTORS

A quarter-wave arrestor is a coaxial T-junction. It provides a quarter-wave short circuit to ground for the branches. The device fully rejects any signal outside the specified frequency bandwidth and deflects the DC components of the signal to ground.

- High pressure contacts and silver plating guarantee excellent results in passive intermodulation.
- A bandwidth from 2% to 20% is possible.
- Excellent performance in multiple strikes.
- Maintenance-free operation.



## SPECIFICATIONS

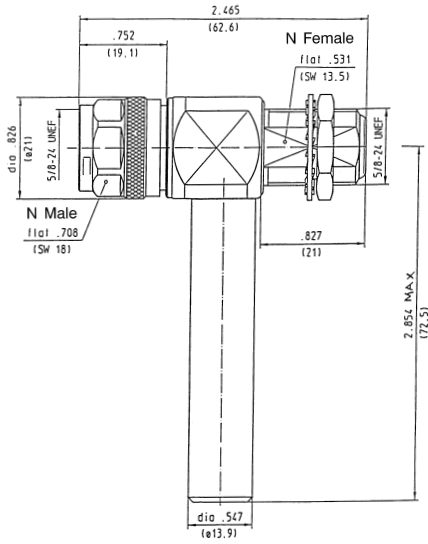
Narda Model Number	Connector	Frequency (MHz)	Insertion Loss (dB max)	VSWR (max)	Average Power* (max W)	Band
N53GK50700	N	810-956	0.1	1.10	1000	Domestic Cellular Full Band
N53GK50100	N	880-960	0.1	(870-889) 1.20 (890-960) 1.10 (961-970) 1.20	1000	GSM Full Band: Rx: 890-915 Tx: 935-960
N53GK50200	N	1710-1880	0.1	1.10	1000	GSM1800 Full Band: GSM1800 Rx: 1710-1785 GSM1800 Tx: 1805-1880
N53GK50300	N	1850-1990	0.1	1.10	1000	PCS Full Band: PCS Rx Band: 1850-1910 PCS Tx Band: 1930-1990
N53GK50400	N	1429-1501	0.1	1.10	1000	Japan Cellular Full Band
N60GK55700	7/16	810-956	0.1	1.10	1000	Domestic Cellular Full Band
N60GK55100	7/16	880 - 960	0.1	(870-889) 1.20 (890-960) 1.10 (961-970) 1.20	1000	GSM Full Band: Rx: 890-915 Tx: 936-960
N60GK55200	7/16	1710-1880	0.1	1.10	1000	GSM1800 Full Band: GSM1800 Rx: 1710-1785 GSM1800 Tx: 1805-1880
N60GK55300	7/16	1850-1990	0.1	1.10	1000	PCS Full Band: PCS Rx Band: 1850-1910 PCS Tx Band: 1930-1990
N60GK55400	7/16	1429-1501	0.1	1.10	1000	Japan Cellular Full Band

### NOTES:

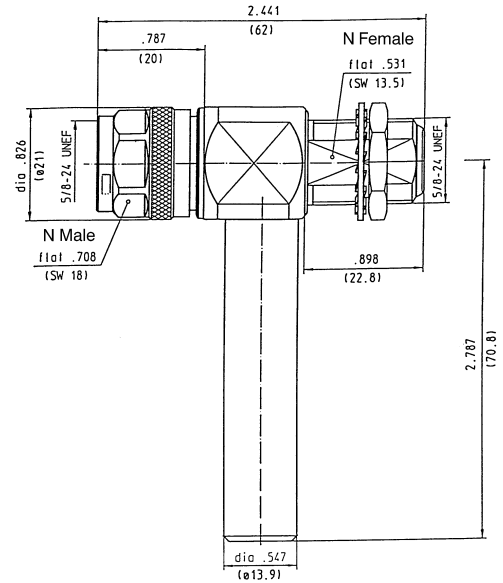
Average Power is into an optimized load VSWR.  
Temperature Range: -65°C to +125°C

# Lightning Protection

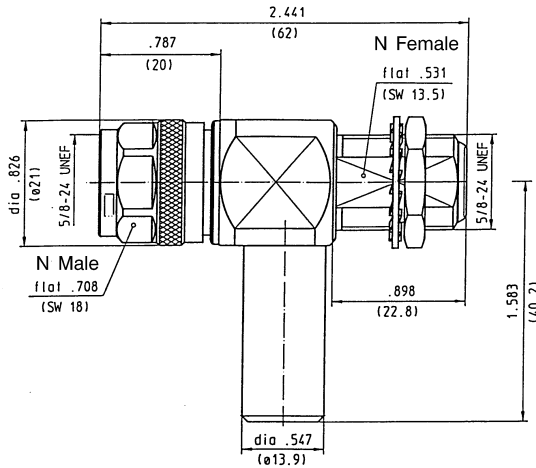
## OUTLINE DRAWINGS



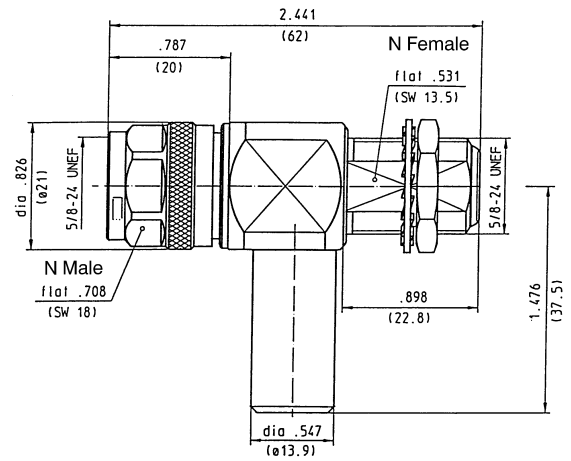
Model No. N53GK50700



Model No. N53GK50100

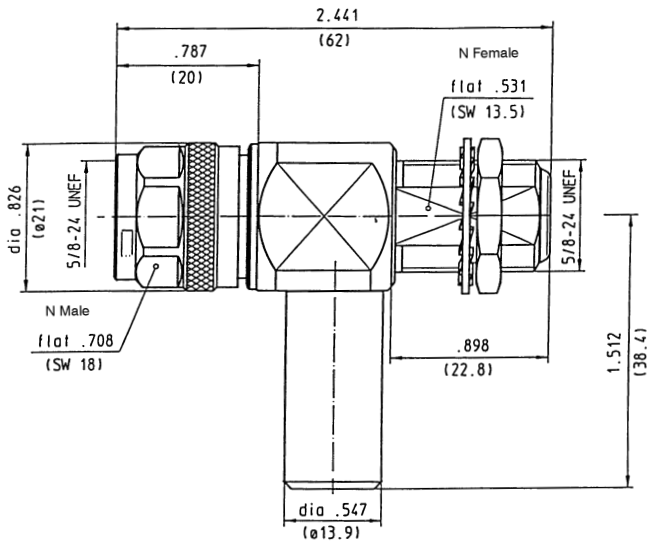


Model No. N53GK50200

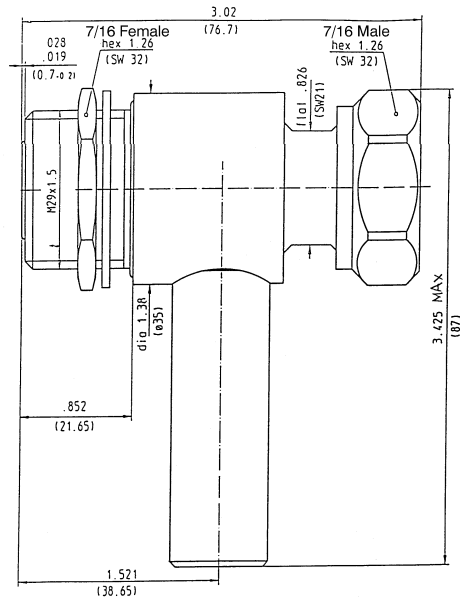


Model No. N53GK50300

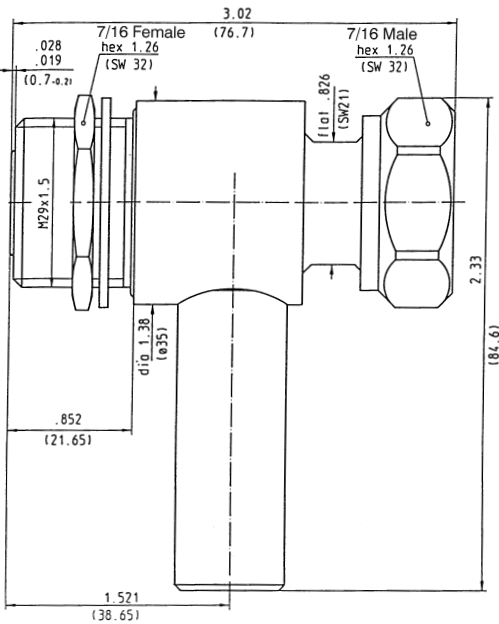
# Lightning Protection



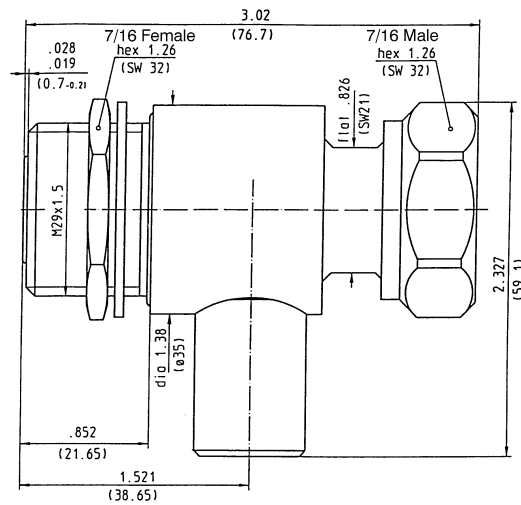
Model No. N53GK5040



Model No. N60GK55700

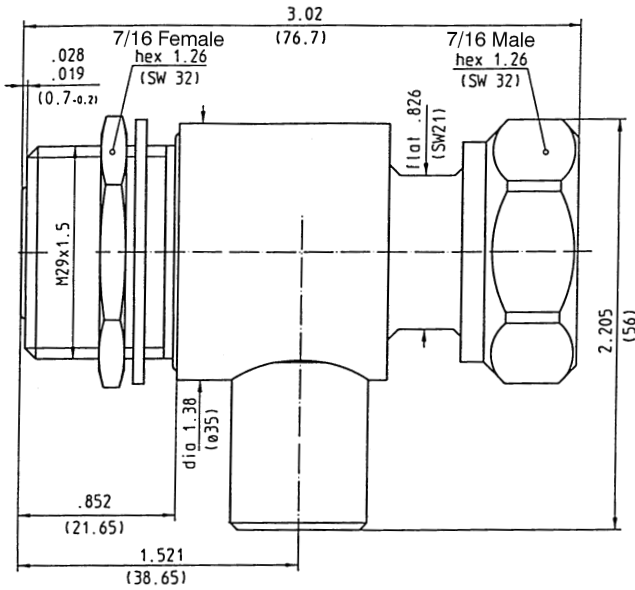


Model No. N60GK55100

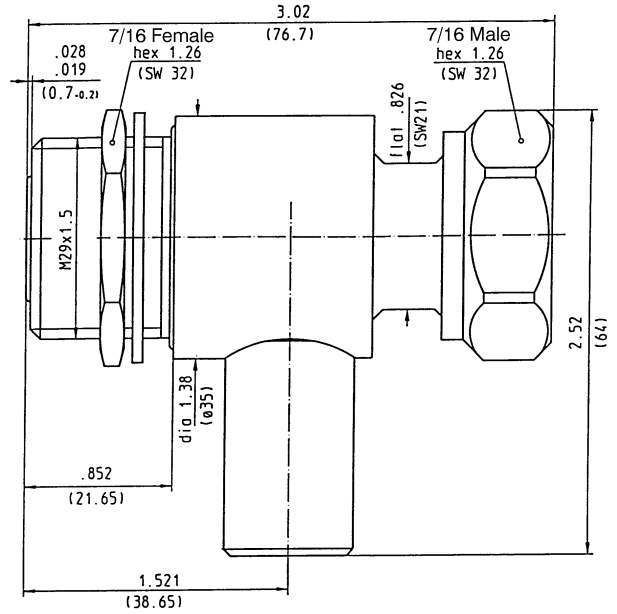


Model No. N60GK55200

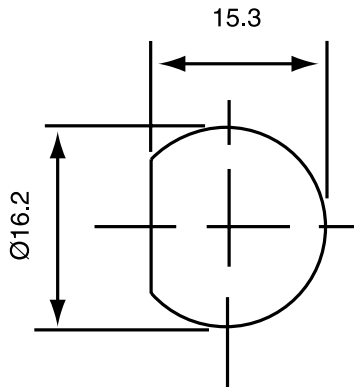
# Lightning Protection



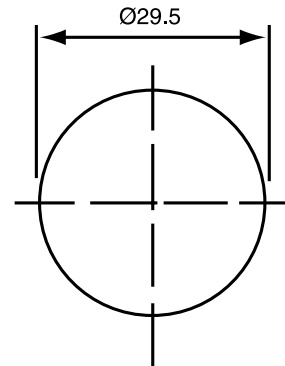
Model No. N60GK55300



Model No. N60GK55400



Type N Connector  
Mounting Hole



7/16 Connector  
Mounting Hole